

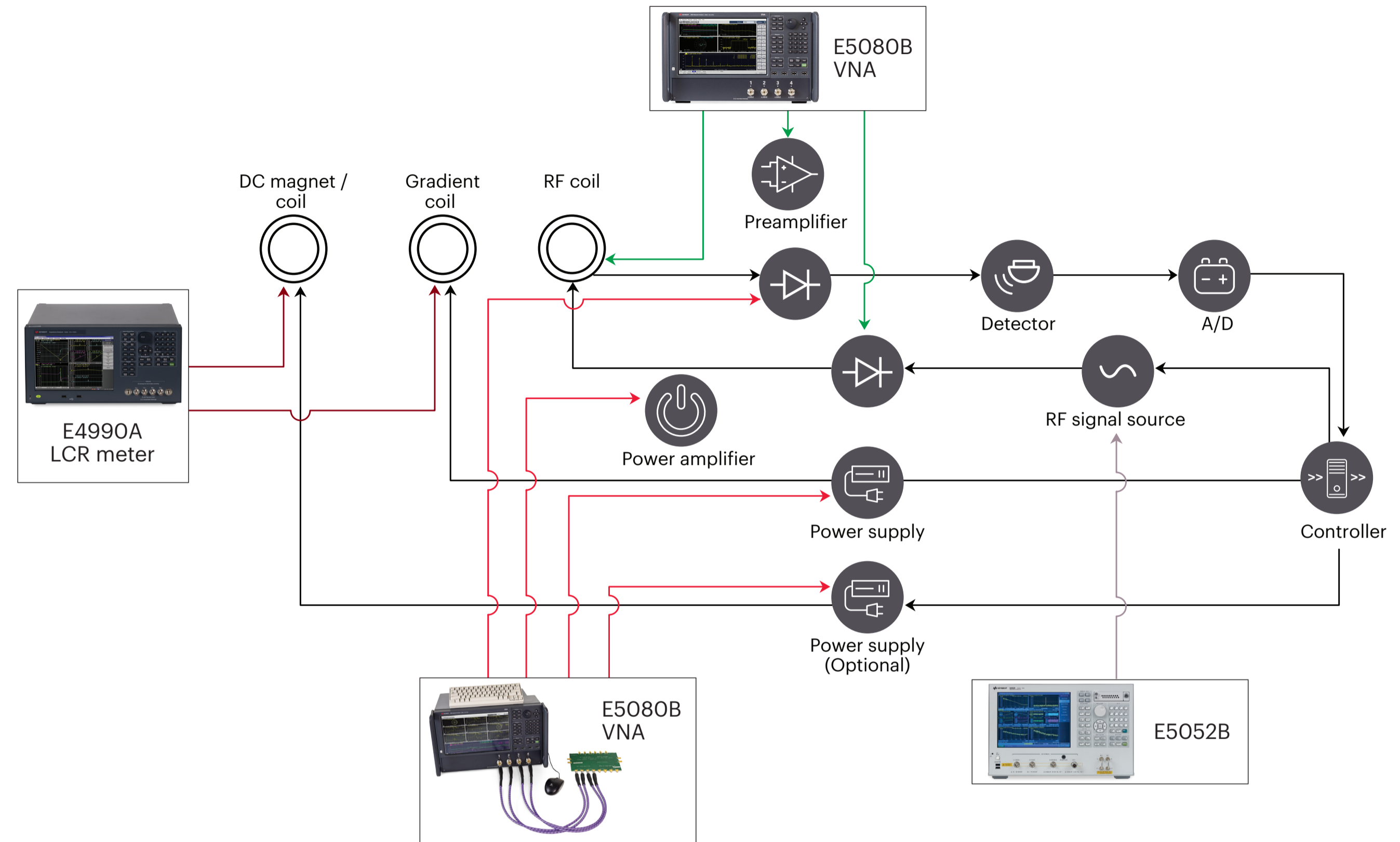


Bring innovations to life

Keysight provides fast and accurate test solutions to measure various parameters associated with each component within the magnetic resonance imaging (MRI) system.

For more information, visit:
www.keysight.com/find/medical

Test Solutions for Medical MRI Systems



Test parameters associated with various MRI components

MRI RF coil	LC Tank Circuit. To measure resonance frequency of S11
Power amplifier / Preamplifier	Linearity measurement by S21 power sweep
RF signal source	Phase noise
Power supply	General test of power supply for CE certification
DC magnet / Gradient coil	DC resistance. Turn ratio and mutual inductance measurement

Recommended Keysight solution

E5080B vector network analyzer
E5080B vector network analyzer
E5052B signal source analyzer
E5080B vector network analyzer
E4990A LCR meter

Keysight enables innovators to push the boundaries of engineering by quickly solving design, emulation, and test challenges to create the best product experiences. Start your innovation journey at www.keysight.com.

This information is subject to change without notice. © Keysight Technologies, 2016 - 2022. Published in Malaysia, December 8, 2022, 5992-1697EN